



PARADIP PORT TRUST

BUDGETARY OFFER

FOR

Provision of Different types of LED garden light fittings at Guest House (Jawahar & Bhubaneswar) and Replacement of Fluorescent lamp by LED based light fittings at Jawahar Guest house, Sector-21.

SUBMISSION ON OR BEFORE DT. 18/12/2017.

THE EXECUTIVE ENGINEER (ELECT.)

PORT ELECTRICAL DIVISION – III

PARADIP PORT TRUST,

PARADIP, JAGATSINGHPUR,

ODISHA – 754142

Contact No. 98612-44414

Email Id: skbhoippt@gmail.com

REQUEST FOR BUDGETARY OFFER

(A) GENERAL INFORMATIONS:

Sl. No.	Item	Details
1.	Name of the Work	Provision of Different types of LED garden light fittings at Guest House (Jawahar & Bhubaneswar) and Replacement of Fluorescent lamp by LED based light fittings at Jawahar Guest house, Sector-21.
2.	Department / Organization	ELECTRICAL & MECHANICAL DEPARTMENT / PARADIP PORT TRUST
3.	Executive Division	Port Electrical Division.
4.	Officer Inviting the Offer	Executive Engineer
5.	Immediate Next Authority	Superintending Engineer
6.	Sanctioning Authority	Dy. Chairman, PPT
7.	Executing Authority	Executive Engineer

(B) OTHER INFORMATIONS:

Sl. No.	Item	Date	Time
1	Publication date	28/11/2017	15:15
2.a)	Document download start date	28/11/2017	15:15
b)	Document download end date	18/12/2017	17:00
3.a)	Start date for seeking Clarification on-line	28/11/2017	15:15
b)	Last date for seeking Clarification on-line	11/12/2017	17:00
4.	Date of uploading response to Clarifications sought	14/12/2017	17:00
5.	Offer Submission end date	18/12/2017	17:00
6.	Offer Validity period	120 days	
7.	Currency of Offer	Indian Rupee	
8.	Language of Offer	English	

Budgetary offer for the work: Provision of Different types of LED garden light fittings at Guest House (Jawahar & Bhubaneswar) and Replacement of Fluorescent lamp by LED based light fittings at Jawahar Guest House, Sector-21.

SCOPE OF WORK

All the old Fluorescent & HPSV lamps fitted in the gardens of both Jawahar Guest house and Bhubaneswar Guest house are to be replaced by LED based Garden light fittings. All the old Fluorescent lamps fitted at Jawahar Guest House, Sector-21 are to be replaced by LED based light fittings. The contractor has to carry out the total works including supply, installation and commissioning as per the following scope of work.

- 1) The contractor shall supply Different types of LED light fittings given below as per the specification given in the bill of quantity.
 - a) 40-45 watt Post top fitting
 - b) 9-10 watt bollard decorative fitting
 - c) 12 watt round maxi in-ground burial (RGB)
 - d) 200 watt flood light fitting
 - e) 18 watt flood light fitting
 - f) 18/20 watt Tube light fitting
 - g) 4 watt spot light fitting
 - h) 3 watt modern wall fitting
 - i) 15-18 watt recess / surface mounted fitting
 - j) 15 watt recess mounted round type fitting
- 2) The deviation of +/- 5% tolerance in the specification of required wattage may be acceptable.
- 3) The contractor shall submit all the certificates mentioned below along with the materials for acceptance of light fittings:
 - a) Type test Certificate of complete LED fitting from NABL accredited laboratory.
 - b) Test report of LM-79 by Vendor.
 - c) Test report of LM 80 used from manufacturer.
 - d) IP Protection Certificate report.
- 4) The Contractor shall submit sample materials along with documents for approval of EIC / E.E thereof prior to utilization of materials.
- 5) The Contractor shall supply the specified cable as per bill of quantity and lay through HDPE pipe underground as per specification given in bill of quantity after opening of cable trench.
- 6) The Contractor shall remove all the existing old fittings and hand over the old materials to Engineer-In-charge with proper record and fix new specified decorative light fittings as per

direction of Engineer-In-Charge, with supply of all the accessories for connection, at his / her own cost and arrangement.

- 7) The Contractor shall construct the foundation as per direction of Engineer In-Charge for fixing the decorative lights and decorative designed poles with supply of all the materials (Cement, bricks, sand etc.) at his/ her own cost and arrangement.
- 8) The Contractor shall connect all the decorative light fittings and junction boxes in 3 C x1.5 Sq.mm. copper flexible cable and other accessories required for connection at his / her own cost and arrangement.
- 9) The Contractor shall execute the earthing as per the location identified by the EIC and make earth pit with cover and connect the earthing to the panel as per IE Rule with supply of all materials.
- 10) The Contractor shall supply and fix all the junction boxes, made of polycarbonate as per direction of EIC and connect the cable in it through the connector. All the clamps and accessories for connection shall arranged by the Contractor at his / her own cost.
- 11) The Contractor shall supply 4 ft. 18 /20 watt LED tube light fitting having decorative ultra slim square profile extruded aluminium housing, along with efficient heat dissipation with polycarbonate diffuser, Efficacy > 90 %, PF > 0.95, Surge protection 2.5 kV, Integrated Inbuilt Electronic Driver and non-flickering, luminous efficacy 120 Lm / watt, Short circuit / Over Voltage Protection.
- 12) The Contractor shall supply decorative designed pole having base plate with 4 nos. of mounting hole with polyurethane rubber gaskets and the pole must have decorated design base with loop in-loop out chamber or the Contractor has to make provision in foundation cement base with junction box for loop in & loop out of cable. Top dia. of the designed pole shall be suitable for fixing of 40-45 watt post top LED light fittings.
- 13) All the LED lights fitting shall have provision of surge protection, short circuit Protection, over voltage protection and reverse polarity protection.
- 14) The Contractor shall supply all the LED down lighter (Recess / Surface) fittings as per specification in BOQ and fix these light fittings as per direction of Engineer-in -charge.
- 15) The Contractor shall open kutchra cable trench of size (300mmx750mm) and lay out the specified cable in the trench through HDPE pipe and refill the trench with the excavated materials by supplying all T&P and Manpower.
- 16) The Contractor shall cut the road by excavating the materials, layout 3 inch dia. GI pipe in the road cutting for cable pass and refill the same with the excavated materials and finish it with concrete materials as per direction of Engineer-in-charge.
- 17) The Contractor shall ensure that all the LED used in the LED light fittings shall made of CREE / NICHIA / LUMILEDS / OSRAM / SAMSUNG and at least last for 50,000 burning hours.
- 18) The Contractor shall supply FRP pole and install the same with concrete foundation as per direction of Engineer-in-charge.

Other Commercial Conditions:

a) Payment Terms:

The payment will be made as follows:

- i) 70% of material cost will be paid on supply and delivery of materials at Paradip Port in good condition and verification & acceptance thereof by the Engineer In-charge (EIC). However, the Contractor must ensure that the materials are delivered to site in time with the progress of site activities are at par to the approved BAR chart failing which payment shall not be released.
- ii) 20% of material cost and 90% of installation and commissioning charges will be paid after successful installation, commissioning & acceptance thereof by the Engineer-In-charge (EIC).
- iii) Balance 10% of the total contract value shall be retained by PPT towards Performance Security Deposit. The Performance Security Deposit shall be released after successful completion of the warranty period only. The Contractor may furnish a Bank Guarantee of equal value valid till one month after expiry of the warranty period in which case the balance 10% money will be released for payment.

b) Security Deposit:

A sum of 10% of accepted value of the tender shall be deposited by the successful bidder (Contractor) as Security Deposit (SD). This will be deposited initially 1% value of the contract as initial security deposit (ISD) in shape of a Bank Guarantee or Demand Draft (DD) / Banker's Cheque drawn in favour of FA & CAO, Paradip Port Trust (DD / Banker's cheque shall be payable at Paradip) within 15 days of issue of Letter of Intent (LOI). After deducting the EMD and ISD from the stipulated security deposit, the balance amount will be recovered in instalment through deduction at the rate of 10% of the value of each running account bill subject to attaining the required amount by the last running bill. In case of exemption of EMD, the successful bidder has to deposit initially 3% of the contract value as ISD instead of 1% of contract value.

The Contractor may submit Bank Guarantee for the balance amount after deducting the EMD and ISD from the stipulated security deposit in which case there will be no deduction from the running bills towards security deposit.

EMD of the successful bidder may be refunded to the bidder after receiving an equivalent amount of Bank Guarantee only after issue of work order and signing of agreement.

The Contractor may also submit Bank Guarantee for a sum of 10% of accepted value of tender as Security Deposit (SD) within 15 days of issue of Letter of Intent (LOI) in which case (i) deposit of 1% ISD will not be required; (ii) there will be no deduction from the running bills towards security deposit; and (iii) EMD of the successful bidder will be refunded to the bidder after issue of work order and signing of agreement.

The security deposits shall be returned to the Contractor within 45 days of successful execution and acceptance of the work. The BG shall be valid till 45 days after the scheduled date of completion of the work.

c) Execution Period:

The commencement date of the work shall be 15 days from the date of issue of Work Order and completion date shall be 02 months from the date of commencement.

d) Warranty:

The warranty period shall be valid up to 02 (Two) years on the entire work inclusive of the supply items with effective from date of acceptance of the work.

- The Contractor shall warrant the Board that the goods and services under this contract will comply strictly with the contract, shall be first class in every particular case and, shall be free from defects. The Contractor shall further warrant the Board that all materials, equipment and the supplies furnished by him/her will be new and fit for their intended purposes.
- The Board shall promptly notify the Contractor in writing of any claim arising under this warranty. Upon receipt of such notice, the Contractor shall promptly repair or replace the defective goods and/or services at no cost to the Board.
- If the Contractor, having been notified, fails to remedy the defects in accordance with the contract, the Board may proceed to take such remedial action as may be necessary, at the Contractor's risk and cost.

e) Liquidated Damage (LD) :

a) Unless otherwise specified, in case of delay in completing the work, liquidated damage shall be charged to the Contractor at the rate 0.25% of the contract price for a delay of one week or part thereof subject to a maximum of 5% of the contract price if the original execution period is 90 days or more. Where the original execution period is less than 90 days, liquidated damage shall be charged to the Contractor at the rate of 0.1% of the contract price for a delay of one day or part thereof subject to a maximum of 5% of the contract value. Where the Liquidated Damage amount exceeds the maximum limit, Paradip Port Trust reserves the right to :-

i) Terminate the contract and / or ii) Forfeit the Initial Security Deposit (ISD).

b) In case of "substantial completion" of a section of work and subsequent taking over by the purchaser within the scheduled date of completion, the liquidated damage shall be levied on the cost of balance portion of the works which are completed after the scheduled date. "Substantial Completion" of a section shall mean that the section has been completed, passed the tests, if any, to meet its intended purpose and can be used by the purchaser for that purpose.

➤ Any query in this regard may be raised to the following email id prior to dt.11/12/2017 up to 17:00 hrs. which will be clarified by dt.14/12/2017 by uploading in the website for facilitating submission of a competitive budgetary offer.

➤ Budgetary offers shall be submitted through email or by Registered Post in the address mentioned below:

NOTE: Percentage of GST may be mentioned extra against each item.

Executive Engineer (Elect),
Port Electrical Division – III,
Paradip Port Trust.
PO: - Paradip,
Dist: - Jagatsighpur
Odisha – 754142
Contact No. 98612-44414
Email Id: skbhoipt@gmail.com

BILL OF QUANTITY

Sub.: Provision of Different types of LED garden light fittings at Guest House (Jawahar & Bhubaneswar) and Replacement of Fluorescent lamp by LED based light fittings at Jawahar Guest house, Sector-21.

Sl. No.	Description of Work	Qty.	Unit	Rate (in Rs.)	Amount (in Rs.)	Remarks
(A) SUPPLY PART						
1	Supply of 40-45 watt Post Top LED Light Fittings Suitable for fixing in design decorative pole, Cast Aluminium Spigot housing with decorative clear acrylic cover, Surge Protection of min 5kv, IP-65 Protection, PF \geq 0.95, Efficacy \geq 85%, CRI \geq 80, Indicative Sample design attached at Annexure - A.	32	Nos.			
2	Supply of 9 ft height dia-cast aluminium PU painted decorative designed pole for post top LED light fittings, Base plate with foundation bolts & nuts as per scope of work Indicative Sample design attached at Annexure - B.	24	Nos.			
3	Supply of 9-10watt LED Bollard decorative light fittings, IP-65 Protection, Aluminium casting with acrylic diffuser, Height-900-1000mm, Indicative Sample design attached at Annexure - C.	75	Nos.			
4	Supply of 12watt Round maxi in ground Burial Light (RGB) with controller, Dia cast aluminium enclosure with stainless steel cover plate, IP-66 protection, Indicative Sample design attached at Annexure - D.	50	Nos.			
5	Supply of 200 Watt LED flood light, Pressure Die cast Aluminium body, Cool warm white, IP-66 protection, PF \geq 0.95%, constant current power supply, Luminous efficiency 110lm/watt, Efficacy \geq 95%, Driver efficacy more than 85%, Optics controlled beam with Lens, Surge protection (Inbuilt-4kv & outer 10kv), Indicative Sample design attached at Annexure - E.	8	Nos.			
6	Supply of 18/20 Watt 4 ft LED Tube light fitting complete with Retrofit double ended lamp, Cool white and as per scope of work.	90	Nos.			

Sl. No.	Description of Work	Qty.	Unit	Rate (in Rs.)	Amount (in Rs.)	Remarks
7	Supply of 18 watt flood light LED fitting, cool white, 120° beam angle, IP-66 protection, Rotatable, Aluminium body, Optics controlled beam with Lens, Base type E-40, Round shape, PF≥0.95.	15	Nos.			
8	Supply of 30 watt Green LED flood light fitting, 120° beam angle, IP-66 protection, Aluminium body, Optics controlled beam with Lens, Base type E-40, PF≥0.95.	2	Nos.			
9	Supply of 4 watt LED Study/Spot light fittings, Beam angle 25°-65°, Surface mounted, silver colour, 0-90° vertically adjustable, Efficient heat dissipation technology, Aluminium housing, collimating lens design.	32	Nos.			
10	Supply of 120 Watt LED street light fittings, pressure dia cast aluminium body, IP-66 protection, High power LEDs as light source, Beam angle 120° and as per scope of work.	6	Nos.			
11	Supply of LED down lighter 15-18 watt, Recess mounted suitable for ceiling cut 278 mm x 278 mm, Powder coated, CRCA sheet steel housing, Diffused PMMA front cover, Electronic constant driver, current<0.09 amp, PF≥0.95, Efficacy≥85lm/watt.	20	Nos.			
12	Supply of LED down lighter 15-18 watt, Surface mounted light fittings, Size 1ft x1ft, Powder coated, CRCA sheet steel housing, Diffused PMMA/PS front cover, Electronic constant driver, current < 0.09 amp, PF≥0.95, Efficacy≥80lm / watt .	25	Nos.			
13	Supply of LED down lighter 15 watt, Recess mounted LED fittings suitable for ceiling cut hole 165mm, Powder coated, PDC aluminium housing, Diffused PMMA front cover, Electronic constant driver, current < 0.07 amp, PF≥0.9, Efficacy ≥65lm/watt, compact vertical round shaped.	35	Nos.			

Sl. No.	Description of Work	Qty.	Unit	Rate (in Rs.)	Amount (in Rs.)	Remarks
14	Supply of LED down lighter 5 watt, Recess mounted LED fittings suitable for ceiling cut hole 80mm, Powder coated, PDC aluminium housing, Diffused PMMA front cover, Electronic constant driver, current<0.07 amp, PF ≥ 0.9, Efficacy≥65lm/watt, compact vertical round shaped.	10	Nos.			
15	Supply of Modern 3 watt LED wall light as night lamp suitable for fixing on surface of wall, Aluminium body and Silver colour.	20	Nos.			
16	Supply of 4 x 6 sq.mm aluminium armoured XLPE cable, 1.1 kv Grade, Confirming to IS-7089 (Part-1)-1998 amended up to date.	800	Mtr.			
17	Supply of HDPE pipe having OD-50mm, Material grade PE-63, Wall thickness 2.4 mm to 2.9 mm, confirming to IS-4984-1995 certified with latest amendment for cable laying.	750	Mtr.			
18	Supply of FRP pole, straight single arm (mounting dia 40mm), Anchor base design, height 7 mtr., 4 mm thickness and 1 mtr. arm.	2	Nos.			
19	Supply of junction box, Polycarbonate make, IP-67 protection, weather proof, high grade gasket made of polyurethane, 4 pole connector, provision of 4 x 6 sq.mm cable entry & out and suitable clamps for mounting near different types of decorative LED fittings.	165	Nos.			
TOTAL (A):						
<u>(B) EXECUTION PART:</u>						
20	Execution of earthing in 50 mm dia 3 mtr. long heavy gauge GI pipe, making of earth pit with supply of all materials sweet earrrh, salt, charcoal, cement, bricks, etc.& connection as per Indian Standard.	2	Nos.			
21	Foundation Casting, Installation & Commissioning of FRP poles as per scope of work.	2	Nos.			

Sl. No.	Description of Work	Qty.	Unit	Rate (in Rs.)	Amount (in Rs.)	Remarks
22	Laying of 4 x 6 sq.mm aluminium armoured XLPE cable by making kuchha cable trench through HDPE pipe as per scope of work.	750	Mtr.			
23	Foundation Casting, Installation & Commissioning of Decorative designed poles as per scope of work.	24	Nos.			
24	Foundation Casting, Installation & Commissioning of Decorative Bollard LED light fittings as per scope of work.	60	Nos.			
25	Foundation Casting, Installation & Commissioning of 12 Watt LED round maxi in ground burial light fitting as per scope of work.	50	Nos.			
26	Installation & Commissioning of 200 watt LED Flood light fitting with suitable stand and cement foundation including supply of all accessories and materials.	8	Nos.			
27	Installation & Commissioning of 18/30 Watt LED Flood light fittings with suitable stand and cement foundation including supply of all accessories and materials.	17	Nos.			
28	Fixing and connection of 40-45 Watt LED post top light fittings including supply of all accessories and materials.	32	Nos.			
29	Fixing and connection of 4 watt LED Study/Spot light fittings /18 watt LED Tube fittings/3 watt LED wall light by replacing old fittings including supply of all accessories and materials.	30	Nos.			
30	Fixing and connection of 120 watt LED street light fittings by replacing old fittings including supply of all accessories and materials.	6	Nos.			
31	Fixing and connection of 5watt/15-18 watt LED down lighter fittings (surface mounted & recess mounted) by replacing all old fittings including supply of all accessories and materials.	90	Nos.			

Sl. No.	Description of Work	Qty.	Unit	Rate (in Rs.)	Amount (in Rs.)	Remarks
32	Fixing of junction box with clamp and connection of cable in the connector including supply of all accessories and materials.	165	Nos.			
33	Road cutting, GI pipe laying, Refilling and Finishing as per scope of work.	18	Mtr.			
TOTAL (B):						
GRAND TOTAL (A + B):						

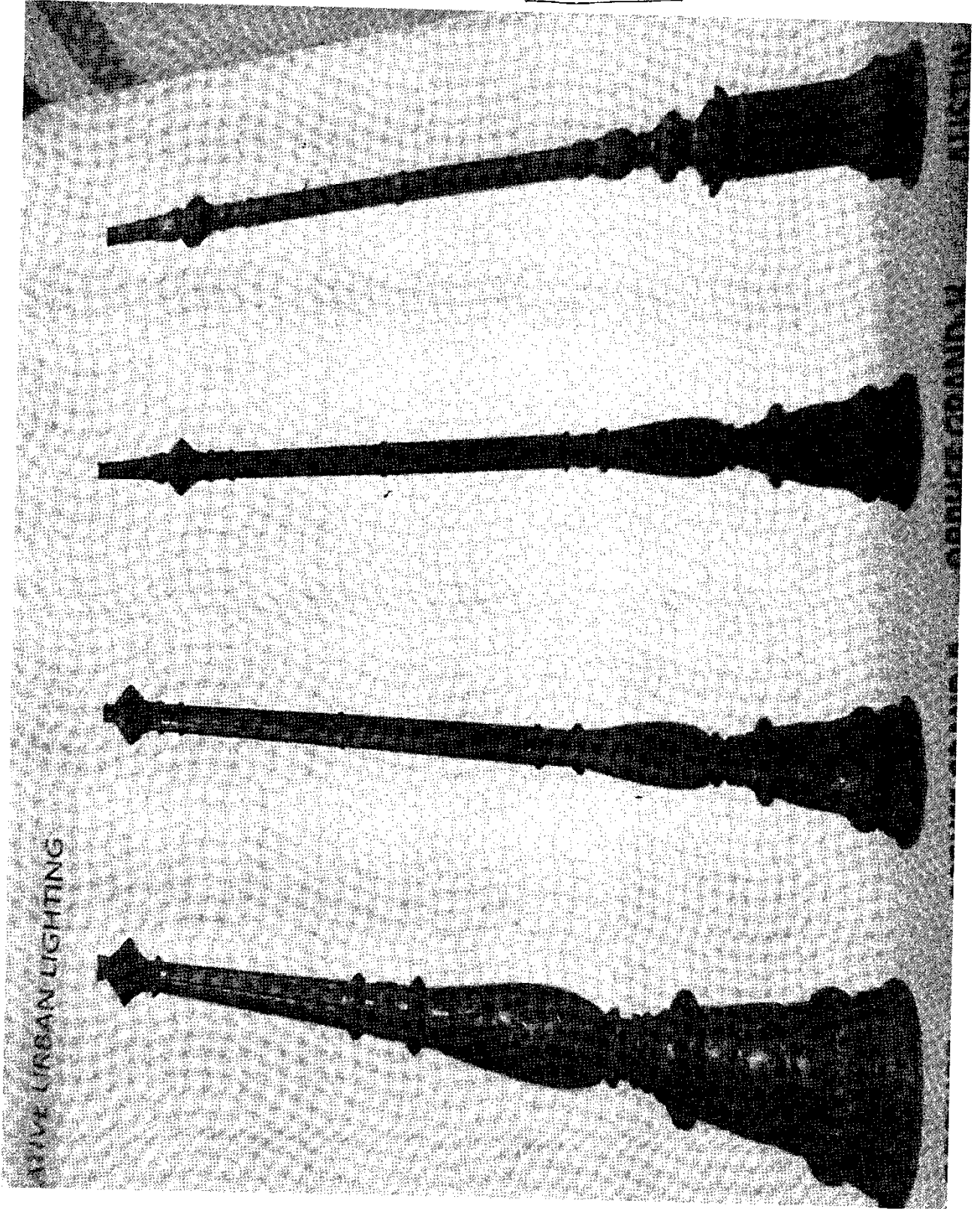
Note: GST percentage to be mentioned against each item.

SIZE - 475 mm (h) x 335 mm (w)

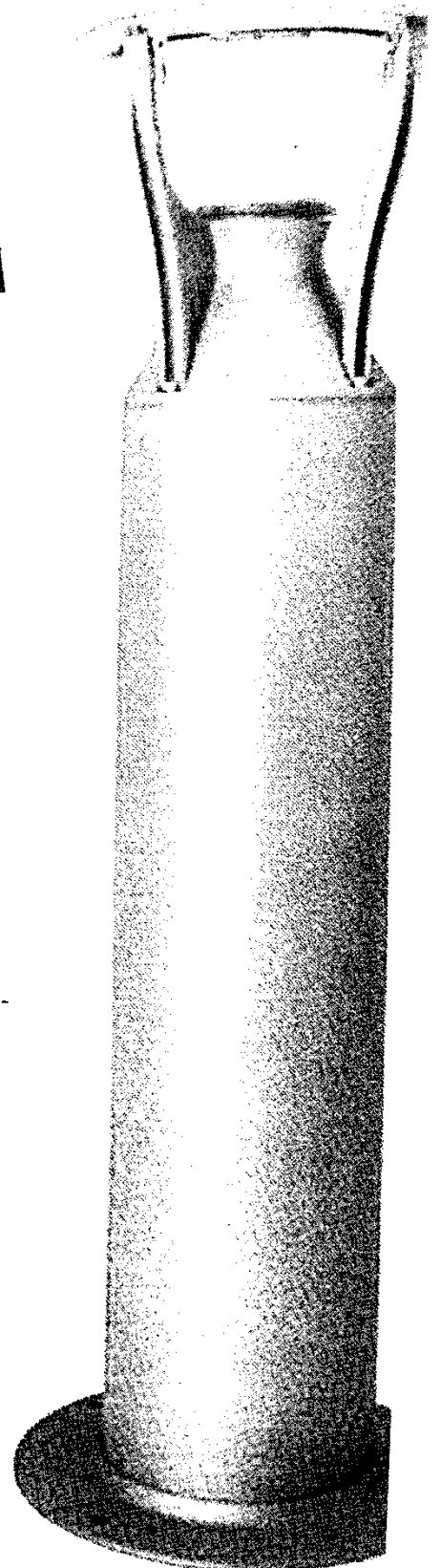
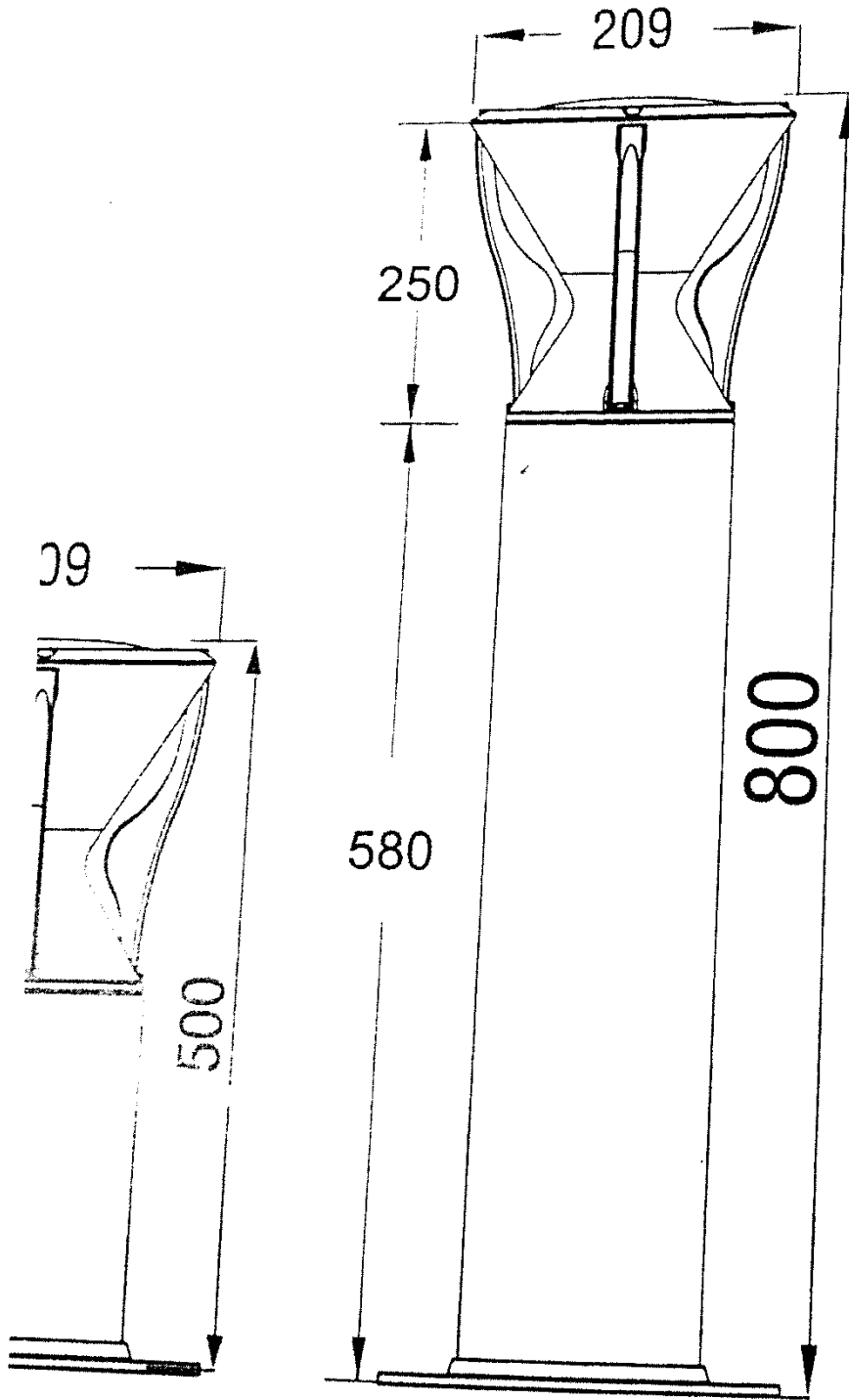
ANNEXURE - A



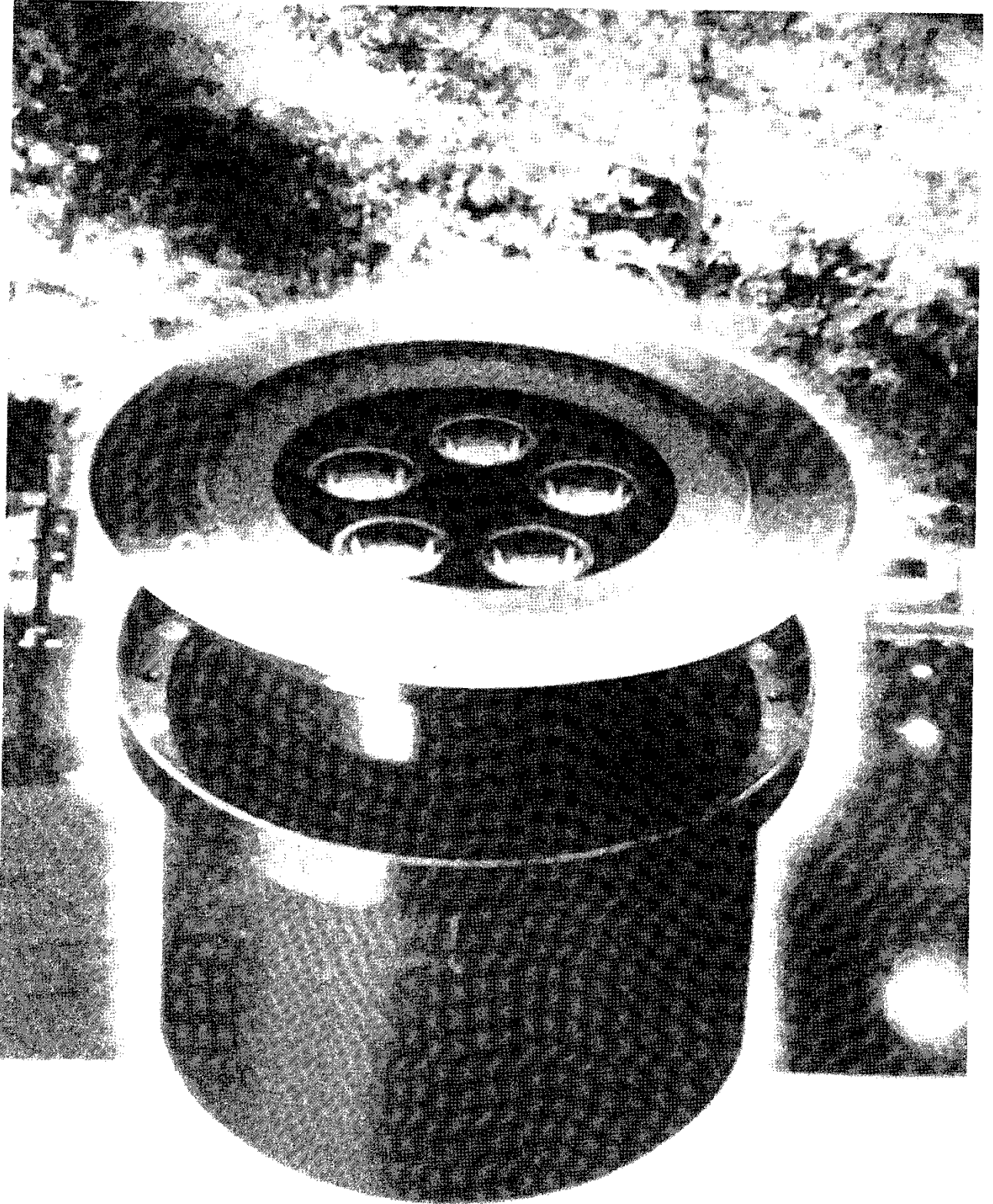
ANNEXURE B



ANNEXURE - C



ANNEXURE - D



ANNEXURE - E

